

99 Series Quick Installation Manual



This manual is applied to KP6299, KP6299A/B, KP6299C, KP8299, KP8299A/B, KP8299C, KP1299, KP1299A/B, KP1299C

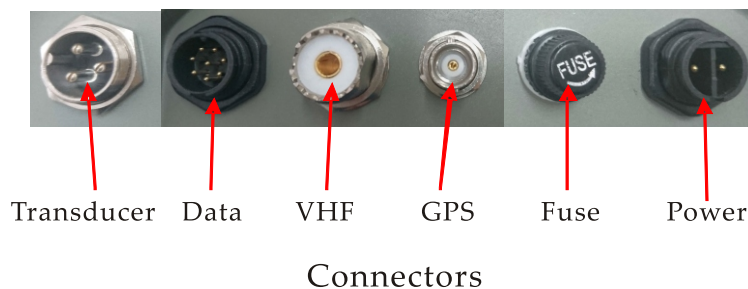
Verifying the contents

When you first time open the box of your 99 series plotter please confirm you have following items inside the box :

- Display unit
- GPS antenna with 10 meters cables
- Mounting brackets
- Manual
- Standard accessories pack (one power cable, 2 spare fuses, 2 mounting nuts, 4 desktop mounting screws, 4 panel mounting screws, one 8-pins data plug)
- Transducer (NBM40-50/200) with 10 meters cable (for KP6299C, KP8299C and KP1299C only.)

The connectors on the rear panel of 99 series plotters

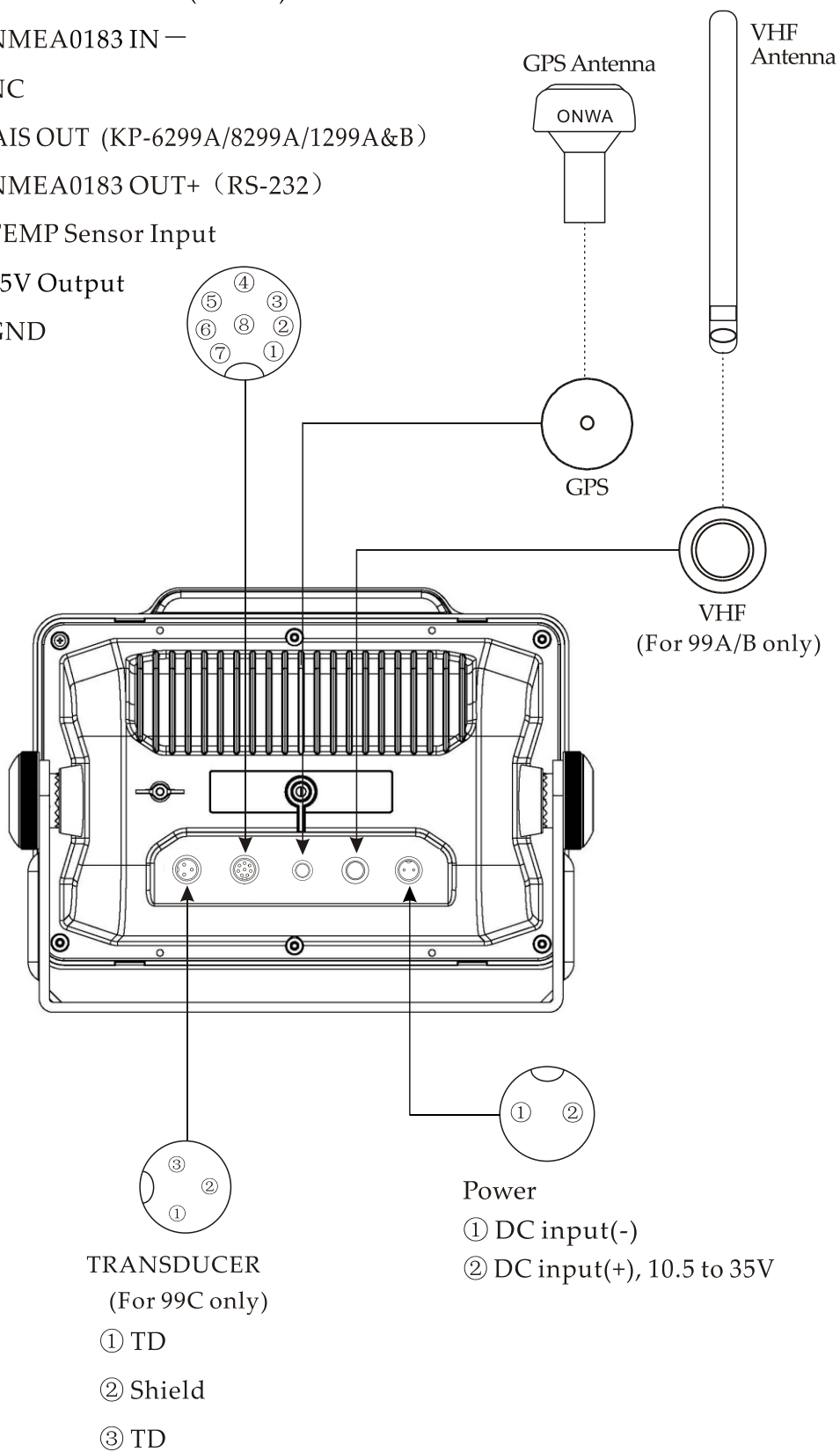
The location of the connectors might be different depends on different models. The following figures just to show you how these connectors look like.



Interconnections for KP6299, KP8299, KP6299A/B, KP8299A/B, KP6299C, KP8299C

DATA INPUT/OUTPUT

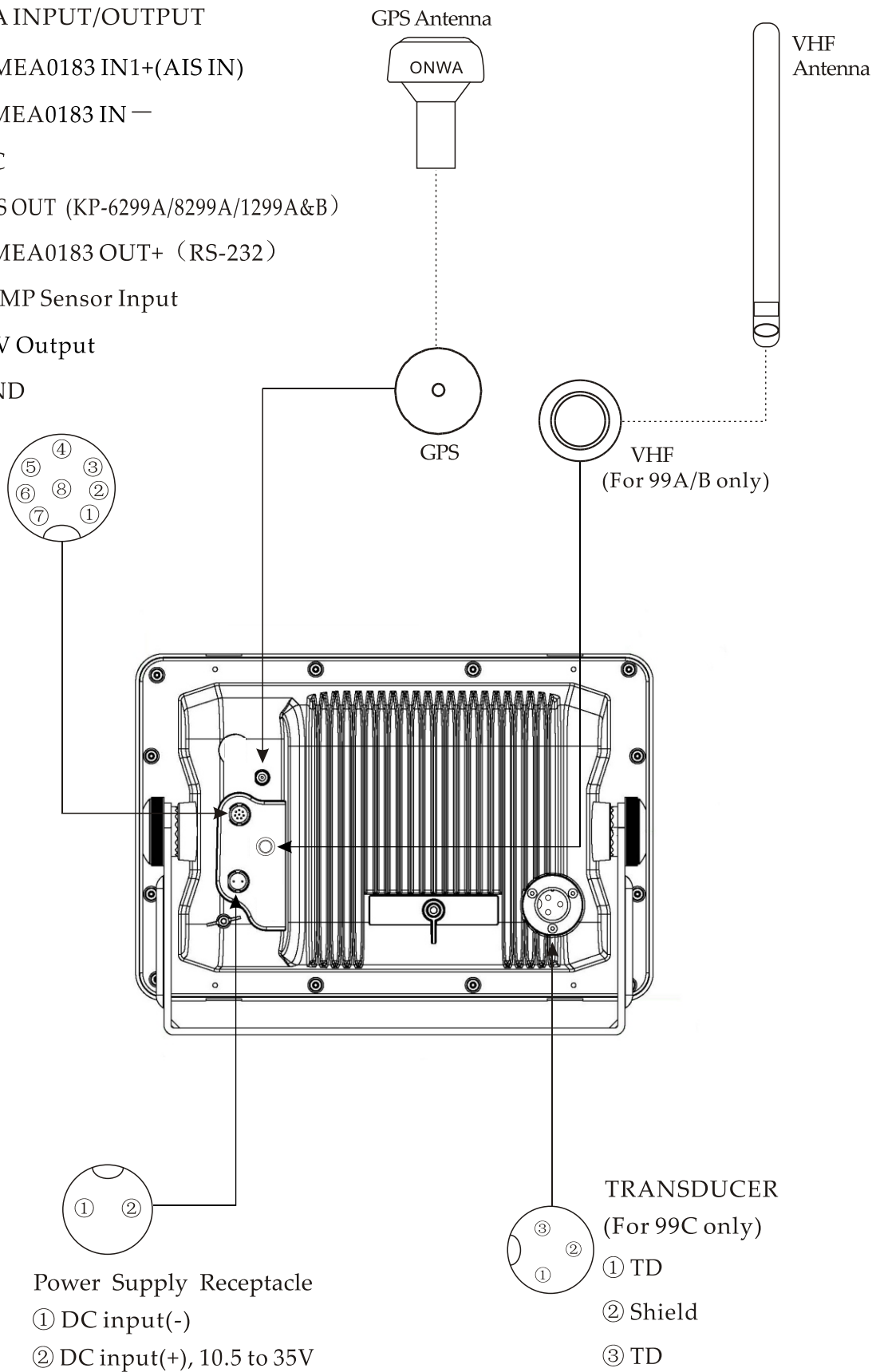
- ① NMEA0183 IN1+(AIS IN)
- ② NMEA0183 IN -
- ③ NC
- ④ AIS OUT (KP-6299A/8299A/1299A&B)
- ⑤ NMEA0183 OUT+ (RS-232)
- ⑥ TEMP Sensor Input
- ⑦ +5V Output
- ⑧ GND



Interconnection for KP1299, KP1299A/B, KP1299C

DATA INPUT/OUTPUT

- ① NMEA0183 IN1+(AIS IN)
- ② NMEA0183 IN -
- ③ NC
- ④ AIS OUT (KP-6299A/8299A/1299A&B)
- ⑤ NMEA0183 OUT+ (RS-232)
- ⑥ TEMP Sensor Input
- ⑦ +5V Output
- ⑧ GND



Specifications

Waypoints/icons:	12,000 waypoints with name, symbol, 10 proximity waypoint
Routes:	30 routes up to 170 waypoints each, plus MOB and Track Navigation or Goto Track modes
Tracks:	8,000 points automatic track log; 10 saved tracks (up to 8,000 track points each) lets you retrace your path in both directions
Drawing Marks:	1000
Drawing Lines:	2000
Drawing Placename:	1000
Color for drawing :	8
Alarms:	XTE, Anchor drag, arrival, speed, voltage, proximity waypoint and time, AIS alarm.
Palette:	Normal Daylight exposed to sunlight Night in dark environment NOAA paper chart colors
Tidec:	Built-in worldwide tide data
Position format:	Lat/Lon
Basemap:	Built-in ONWA K-Chart
External Map:	SD Cards slot for C-Map MAX and Onwa Kchart
User data storage:	Internal backup of user settings, or external DS-card
Plot Interval:	5s to 60mins or 0.01 to 10nm
Plotting scales:	0.001 to 700nm
Interface :	RS232, NMEA0183 V3.01
NMEA Sentence supported :	INPUT, auto scan baudrate + GGA, GLL, RMC, VTG, ZDA, GSA, GSV, DBT, DPT, HDG, HDT, HDM, MTW, VHW, MWD, MWV, VPW, VWR, VWT, XDR, TLL, TTM, VDM, VDO OUTPUT, Baudrate : Selectable 4800, 9600, 19200, 38400 + GGA, GLL, RMC, AAM, APB, APA, BOD, BWC, BWR, DBT, DPT, HDT, MTW, MWD, VPW, , VWR, VWT, RMB, TLL, VTG, WPL, XTE, ZDA, ZTG, HDT_FROM_HDG, WCV, ZDL

For more detail please download the full manual from <http://www.onwamarine.com>

