

*Keeping You
Safe and Sound*



Product Overview

The TB-520 AIS beacon is built as a personal MOB locating device which can greatly enhance a vessel to find and rescue a missing crew.

Carrying it onboard with a lifejacket, this device can be activated immediately in emergency situation, and an SOS message containing GPS positions and unique ID will be sent out to nearby vessels via AIS signal, to assist search and rescue.

Key Features



Provides accurate GPS position information to assist fast locating.



High beam LED sending SOS message for clear indications.



Compatible with AIS equipments, e.g. chartplotters.



Typical 36 hours operating time.



Support automatic (water sensor) or manual activation.



5 year battery life.



Small and lightweight design for easy lifejacket fitting.



IP68 waterproof and 50m immersion depth.

Applications

► Cruise Ship



► Offshore Platform



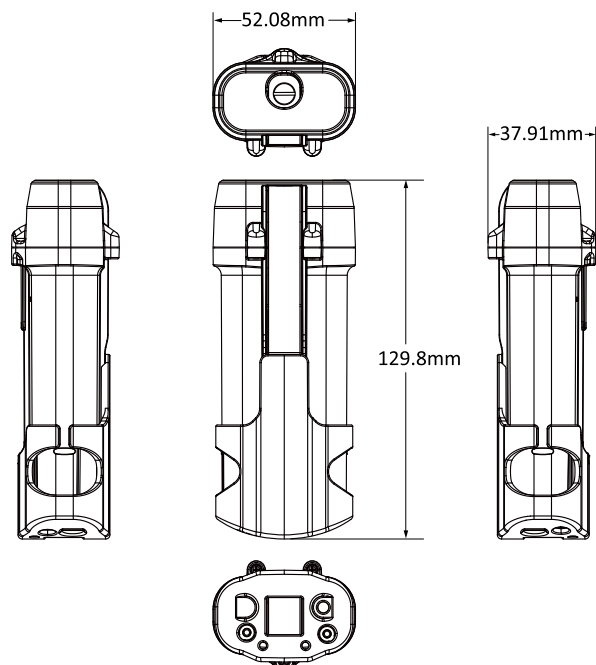
► Fishing Boat



► Water Recreation



DIMENSIONS



EQUIPMENTS IN THE BOX

- TB-520 AIS MOB x1
- Carrying pouch x1
- User guide x1
- Oral clip x1
- Test tab x1



SPECIFICATIONS

▶ APPLICABLE STANDARDS

| | |
|-------------|----------------------|
| IEC 60945 | EN 303098 - 1 V1.2.1 |
| IEC 61108-1 | EN 303098 - 2 V1.2.1 |

▶ VHF PERFORMANCE

| | |
|------------------|--|
| Frequency | AIS 1, 161.975MHz AIS 2, 162.025 MHz |
| Data Rate | 9,600bps |
| Tx Power | 2W (1W EIRP) |
| Bandwidth | 25 KHz |
| Modulation | GMSK |
| Range | 4nm typical with receiver antenna > 5m above sea level |
| AIS Message Type | Message 1 (UID, GPS position, SOG, COG) Message 14 (MOB ACTIVE or MOB TEST) |

▶ GPS PERFORMANCE

| | |
|----------------------|------------------------------------|
| Receiving Channels | 50 |
| Frequency | L1, 1575.42 MHz |
| Tracking Sensitivity | (-)159 dBm |
| Reacquisition | (-)159 dBm |
| Position Update | Every minute |
| Position Accuracy | < 2.0 m SBAS < 2.5 m Autonomous |

▶ ACTIVATION METHOD

Manual activating or automatic activating with water sensor by immersion

▶ BATTERY

| | |
|------------------------|---|
| Type | Primary Lithium (not rechargeable) |
| Operating Time | 36 hours at -10°C, typical |
| Storage (battery life) | 5 years, replacement due after emergency use |

▶ ENVIRONMENTAL

| | |
|----------------------------|------------|
| Operating Temperature | -20°C~55°C |
| Storage Temperature | -30°C~70°C |
| Waterproof | IP68 |
| Immersion depth (optional) | 50m |
| Compass Safe Distance | 0.8m |

▶ GENERAL/PHYSICAL

| | |
|-----------|------------------------|
| Model No. | TB-520 |
| Size | 129x52x40mm (L*W*D) |
| Weight | 170 g (main unit only) |

Note: Specifications are subject to change without prior notice.



The AIS Specialists

Alltek Marine Electronics Corporation

14F-2, No. 237, Sec. 1, Datong Road, Xizhi District,
New Taipei City, 22161, Taiwan
Tel: +886 2 8691 8568 Fax: +886 2 8691 9569

Sales Contact

For more information, please contact your local representative or Alltek Marine at

sales@alltekmarine.com

www.alltekmarine.com

Distributor/Dealer