

ONWA[®]

MODEL KFISH-7



- User-friendly design for simplified operation.
- A wide variety of display modes: bottom-lock expansion, marker zoom and unique bottom zoom displays.
- Potent 600 W transceiver. 8-color presentation (including background) on a 7" diagonal TFT LCD, providing vivid presentation of underwater conditions.
- The AUTO function permits unattended range and gain setting operations. The range scale and gain change automatically so that the bottom is displayed in reddish brown or red on the lower half of the screen.
- Sonar Sound function generate fish tone when there are fish beneath you boat.
- Automatic Fish Size measuring function to tell you the size of fish or school of fishes.
- A-scope display gives excellent bottom fish discrimination, vital for bottom trawler and lobster/crab plotter.
- Alarms: fish, bottom, water temperature (requires appropriate sensor).
- Eight pulse lengths for excellent performance on both shallow and deep ranges.
- Water temperature sensor optionally available.

KFISH-7

SPECIFICATION OF KFISH-7

ECHO SOUNDER

Echo Color	8 colors (including background color) according to echo intensity. Monochrome display is also available. The background color is selectable from blue, light blue, white and black.
Basic Range:	Meters: 5/10/20/40/80/150/300/600/1000 Feet: 15/30/60/120/200/400/600/1000/20000/3000 Fathoms: 3/5/10/20/40/80/150/300/600 Passi/Braza: 3/5/10/30/50/100/200/350/600 The basic range can be changed on the system menu.
Range Shift:	Up to 300 meters (1000 feet,150fathoms,200 passi/braza).
Zoom Range:	Times 2,3,4 and 5.
Bottom Lock Expansion Range	5/10meters,10/20feet,2/5fathoms,2/5passi/braza.
Auto Mode:	Automatic adjustment of range and gain.
Display Mode:	High Frequency (200K),Low Frequency (50K), Dual (200K and 50K 1/2display on each), Zoom (200K and 50K zoom) and A-scope Display.
Zoom Display:	Marker Zoom, Bottom Zoom and Bottom-lock Expansion.
Display Advance Speed:	Lines/TX:Freeze,1/8,1/4,1/2,1/1,2/1/1/4/1
TX Frequency	50 and 200kHz (alternately transmitted)
power Output	KFISH-7:600W
Pulse-length/TX rate:	

Display End Depth(m)	5	10	20	40	80	150	200	300	600	1000
Pulse-Length(ms)	0.1	0.1	0.1	0.2	0.4	0.75	1	1.5	3	5
TX Rate(pulse/min)	2400	1200	600	375	187	100	75	50	50	50

Interference Rejecter Rejects unwanted signals by comparing last and present echoes in strength.

Alarm	Fish and Bottom alarms, Temperature alarm*
Input/output data	NMEA 0183
Input	RMC, VTG
Output	SDDBT, SDDPT

*option temperature sensor is needed

Power Supply

12-32 VDC (-10%,+30%) : 1.0 - 0.6 A

Physical

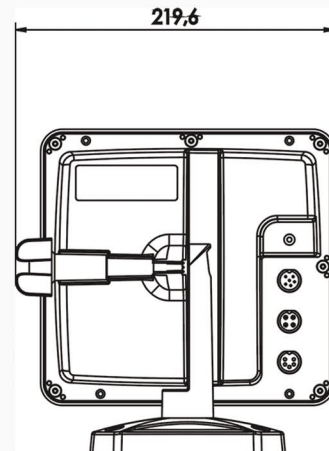
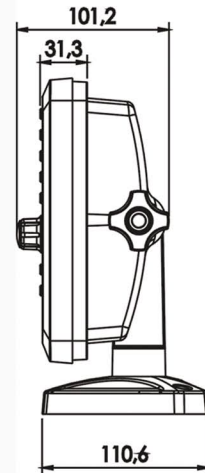
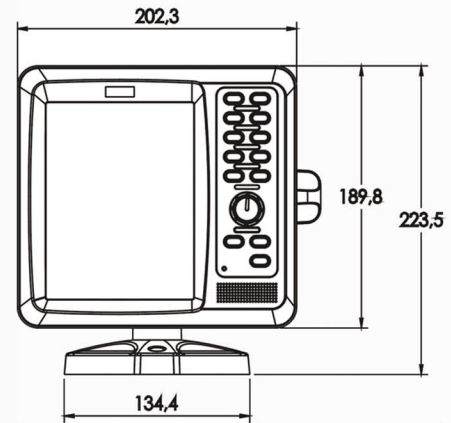
Size	202.3mm(H)X189.8mm(W)X223.5mm(D)
Weight	3.95kg
Display	7-inches Color TFT day-view LCD
Resolution	800×600 pixels
Temperature range	Display unit: 0°C to +50°C

EQUIPMENT LIST

Standard

1. Display unit
2. Transducer
3. Operator manual
4. Installation materials and standard spare parts

DISPLAY UNIT



INTERCONNECTION DIAGRAM

